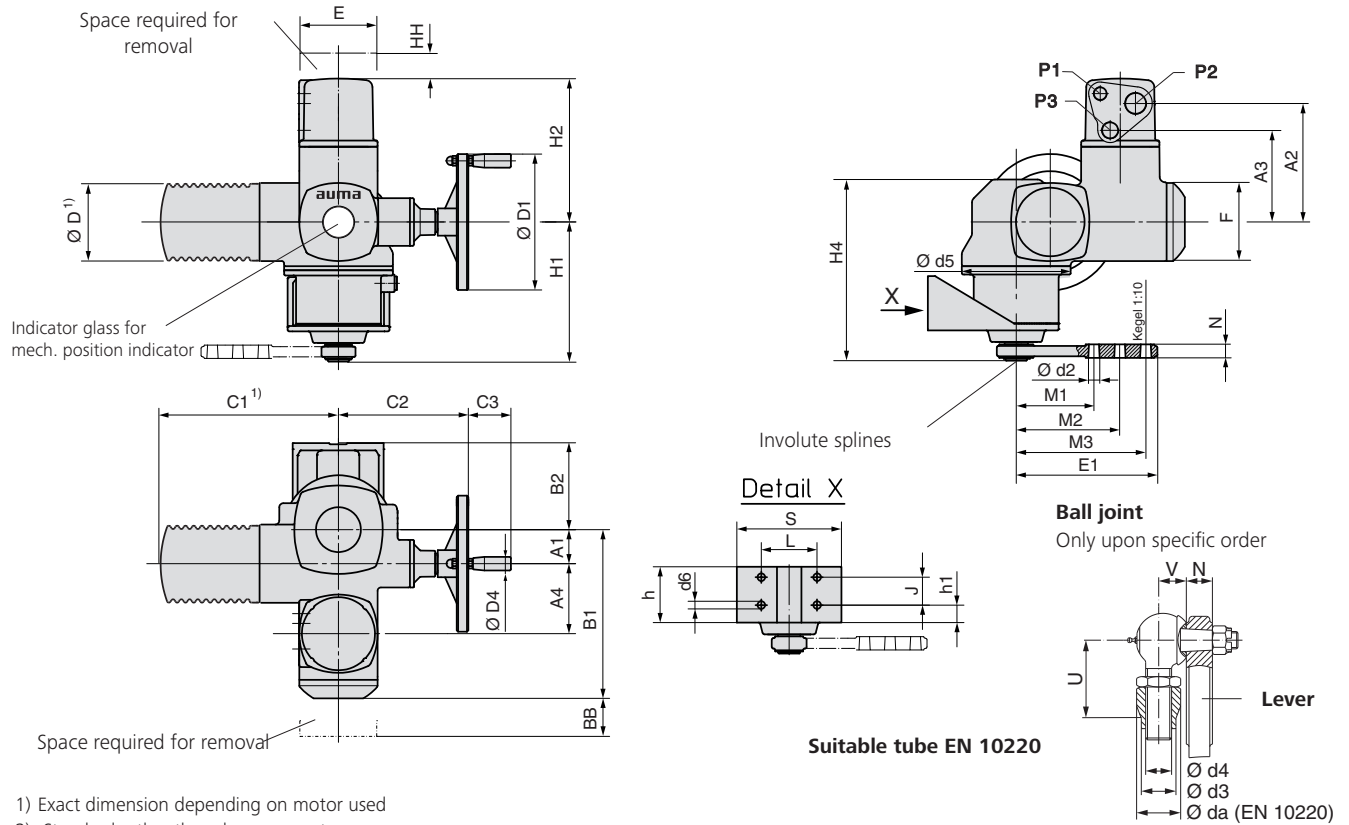


**SQ part-turn actuators with base and lever**

With AUMA plug/socket connector and 3-phase AC motor



- 1) Exact dimension depending on motor used
- 2) Standard, other threads on request

Dimensions	SQ 05.2	SQ 07.2	SQ 10.2	SQ 12.2	SQ 14.2
A1	40		50	50	50
A2	174		174	174	174
A3	134		134	134	134
A4	103		103	103	103
B1	238		248	248	248
B2	110		130	170	180
C1 <sup>1)</sup>	265		265	265	265
C2	186		191	191	191
C3	63		63	63	63
Ø D <sup>1)</sup>	101		101	101	101
Ø D1	160		200	200	200
Ø D4	20		20	20	20
E	115		115	115	115
E1	218		218	273	273
F	115		115	115	115
H1	214		206	239	281
H2	210		210	210	210
H4	273		269	302	344
J	40		40	45	50
M1	150		150	150	150
M2	200		200	200	200
M3	-		-	250	250
N h11	20		20	26	26
P1 <sup>2)</sup>	M20 x 1.5		M20 x 1.5	M20 x 1.5	M20 x 1.5
P2 <sup>2)</sup>	M32 x 1.5		M32 x 1.5	M32 x 1.5	M32 x 1.5
P3 <sup>2)</sup>	M25 x 1.5		M25 x 1.5	M25 x 1.5	M25 x 1.5
S	150		150	190	225
L	80		80	110	110
U	58		58	75	75
V	23		23	28	28
BB min.	180		180	180	180
HH min.	30		30	30	30
Ø d1	36		36	52	52
Ø d2 H8	16		16	22	22
Ø d3	27		27	34	34
Ø d4	M16 x 1.5		M16 x 1.5	M28 x 1.5	M28 x 1.5
Ø d5	125		160	210	225
Ø d6	11		11	14	18
Ø da	33.7 x 3.2		33.7 x 3.2	42.4 x 4	42.4 x 4
h	80		80	90	100
h1	25		25	30	35

We reserve the right to alter data according to improvements made. Previous documents become invalid with the issue of this document.