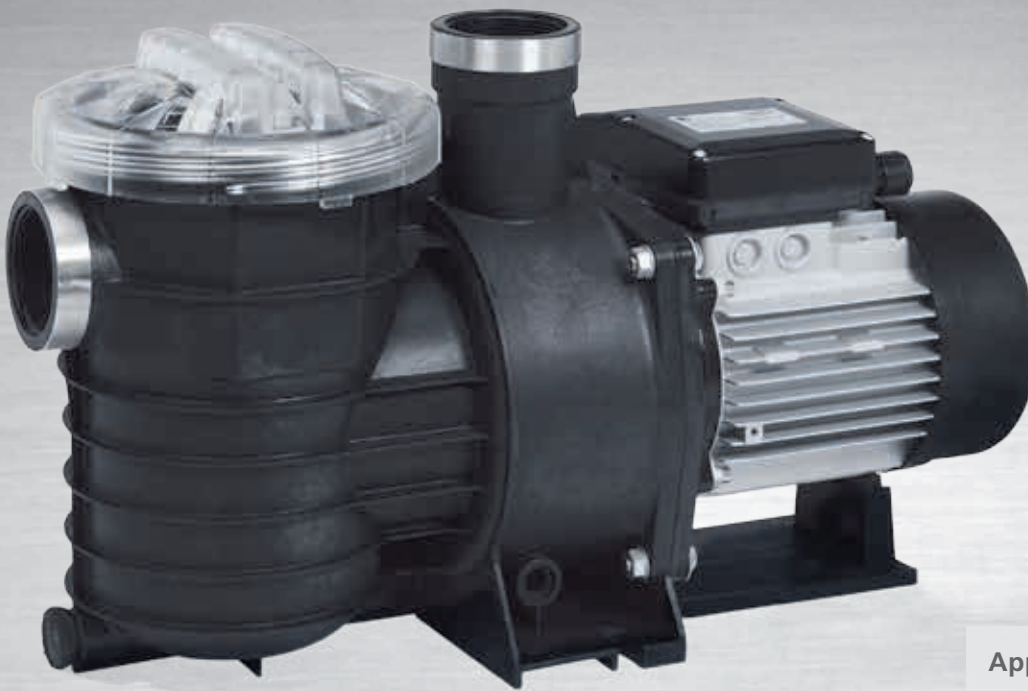


► Our technology. Your success.

Pumps • Valves • Service



## Filtra N – Single-stage, Self-priming Centrifugal Pump



### Applications:

Recirculation of swimming pool  
water in filtering systems

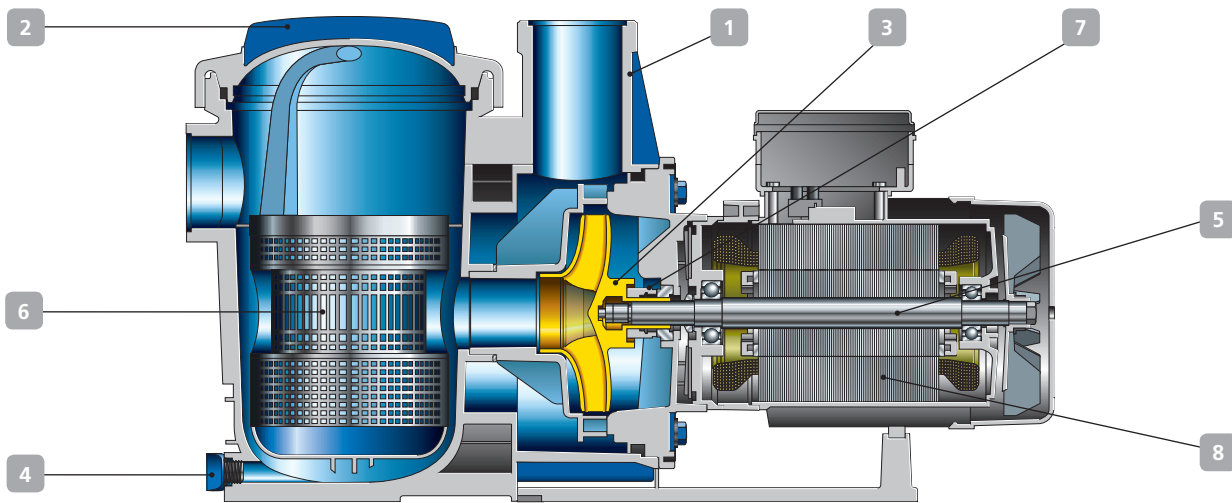
### More information:

[www.ksb.com/products](http://www.ksb.com/products)

Your contact:



# Filtra N – Single-stage, Self-priming Centrifugal Pump in Close-coupled Design



**1 Corrosion-resistant**

Single-piece pump casing made of impact-resistant plastic material

**2 Contamination level easy to detect**

Transparent screw-on lid with mechanical stop

**3 Shaft protected against corrosion**

The impeller completely encases the shaft end.

**4 Fast drainage if there is a risk of freezing**

Two screw plugs for drainage

**5 Resistant to aggressive water**

Shaft made of stainless steel

**6 Easy to clean**

Large volume, low-clogging filter basket, can be hinged open

**7 Maintenance-free and reliable**

Shaft sealed by mechanical seal

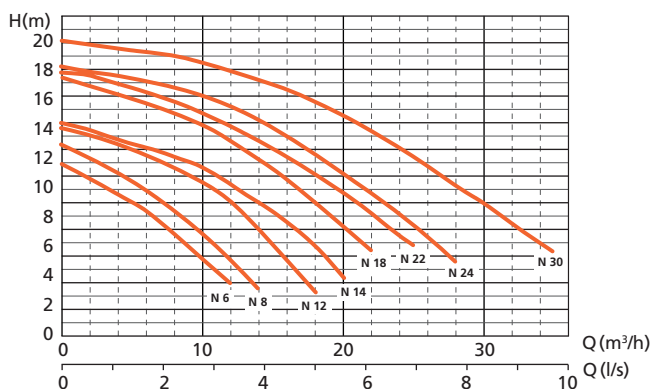
**8 Low-noise operation**

Single-phase a.c. motor with integrated overload protection, or three-phase motor

**Compact and service-friendly**

Self-priming close-coupled pump

Filtra N characteristic curves



**Technical data**

Flow rate	Up to 36 m <sup>3</sup> /h (10 l/s)
Head	Up to 21 m
Pump discharge pressure	Up to 2.5 bar
Fluid temperature	Up to +35 °C



KSB Aktiengesellschaft  
 Johann-Klein-Straße 9  
 67227 Frankenthal (Germany)  
 www.ksb.com